



Practical and Essential Take Out Robots

VECT Series

VECT 400S~3000S & VECT 400D~850D



Take-Out Robot *New* VECT Series

Traverse, Kick Axis-Digital AC Servo, Descent Axis-Pneumatic Mechanism, Practical and Essential Mechanism Take Out Robots.

VECT Series

- Features**
- » Injection Molding Machine : For 280 ~4000 Tons Horizontal
 - » Servo Motor Axis : Max. 3 Axis
 - » Motion Guide : High Strength and Low noise LM Guide on all Axis
 - » Kick (Reach) Frame : Double Support Type
 - » Vertical Arm Structure : Telescopic Arm (2 Step)
 - » Main Controller Location : Body Attached (Less foot print)
 - » Traverse and Kick : AC Digital Servo Motors
 - » Descent : Pneumatic Actuator



- » Multi-Language Support including English.
- » Large LCD Screen.
- » (128 x 64) ensure current status of Robot.
- » Current status, Input and Output Display for easy maintenance.
- » Easy to create Auto Mode Operations. (Mode Selecting Method)
- » Unattended automation with stacking function.

Standard Features

- » Take out Arm (Main Arm, Sub Arm or Both)
- » Take Out : With Vacuum, Chucking or Vacuum and Chucking
- » Chuck Confirm (Use or No Use)
- » Outside Waiting (Use or No Use)
- » Take Out Motion (L Motion or U Motion)
- » Main Arm Descent (From Fixed Platen or Moveable Platen)
- » Sub Arm Descent (From Fixed Platen or Moveable Platen)
- » Chuck Rotation (No Rotation, Before or After Traverse, No Kick, In Traverse)
- » Main Arm Open (Standard, In Mold or No Descent)
- » Sub Arm Open (Standard, In Mold, In Traverse or In Return)
- » Ejector Control (Use or No Use)
- » Alarm Control (Use or No Use)
- » Multi Point Open (Maximum 99 Point on Traverse Side)
- » Multi Stage Open (Maximum 4 times)
- » Mold Close Delay (Use or No Use)
- » Undercut (No Use, with Actuator or With Traverse)
- » Process Time (Up to 99 Seconds)

Optional Features

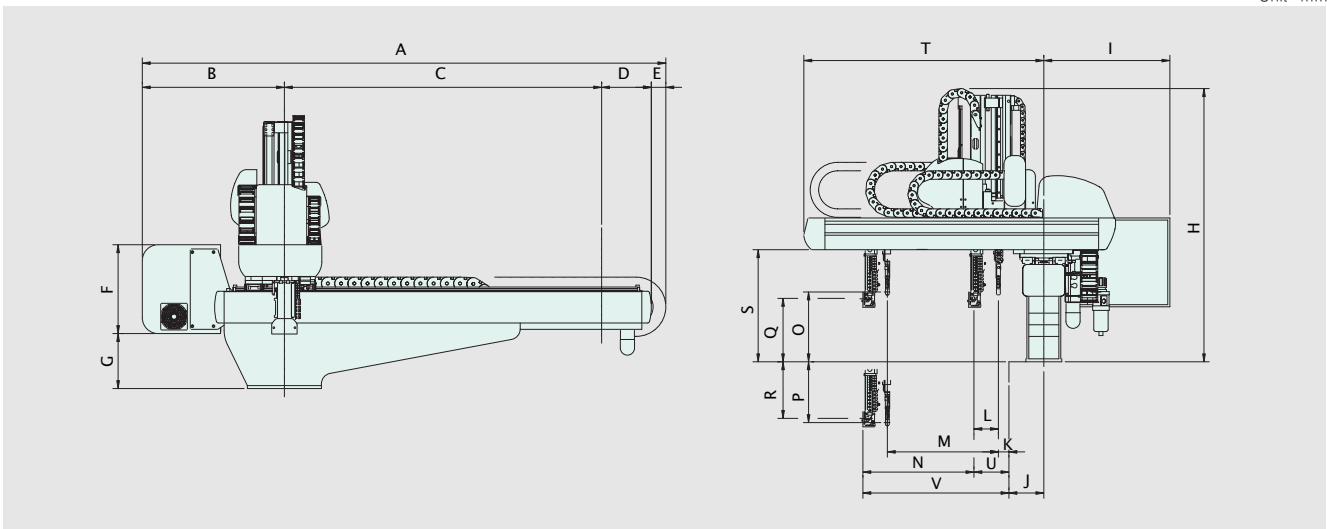
- » Pitch Open (Use or No Use)
- » Vertical Rotation (No Use, In Mold, After Traverse, In Mold + After Traverse)
- » Nipper in Robot (Use or No Use)
- » Nipper with Equipment (No Use, with Robot, External 1. External 2)
- » Additional Gripper (No Use, in Mold, Runner Open, Position)

Technical Specification

Model	Traverse		Ascent/Descent (mm)		Stroke Put-out (mm)		Electric Consumption	Air Consumption [(normal) /Cycle]	Maximum handling capacity
	Standard	L Type	Main Arm	Sub Arm	Main Arm	Sub Arm			
VECT-400S	1700	2000	1100	-	951	-	3 Phase AC 220V S : 10A (Max.) D : 13A (Max.)	7	Up to 5kgf
VECT-400D				1100	825	825			
VECT-600S	2000	2500	1300	-	1085	-	3 Phase AC 220V S : 10A (Max.) D : 13A (Max.)	16	Up to 10kgf
VECT-600D				1300	910	910			
VECT-800S	2500	3000	1600	-	1218	-	3 Phase AC 220V S : 11A (Max.) D : 15A (Max.)	22	Up to 15kgf
VECT-800D				1600	1070	1070			
VECT-1300S	3000	3500	1800	-	1572	-	3 Phase AC 220V S : 12A (Max.) D : 15A (Max.)	35	Up to 20kgf
VECT-1300D				1800	1450	1450			
VECT-2000S	3500	4000	2100	-	1710	-	3 Phase AC 220V S : 16A (Max.)	56	Up to 30kgf
VECT-3000S	4000	4500	3000	-	2070	-	3 Phase AC 220V S : 26A (Max.)	152	Up to 40kgf

Dimension

Unit : mm



Model	A	B	C	D	E	F	G	H	I	J	K	L	M	N	O	P	Q	R	S	T	U	V
VECT-400S	2587	672	1700	215	-	420	260	1472	596	165	-	-	-	951	-	-	300	800	530	1435	400	991
VECT-400D	(3078)		(2000)	-	-		260	1472	596	165	50	116	825	825	330	770	300	800	530	1435	166	
VECT-600S	3007	592	2000	415	-		179	1740	636	205	-	-	-	1085	-	-	254	1046	632	1627	70	1155
VECT-600D	(3507)		(2500)	-	-		179	1740	636	205	73	172	910	910	340	960	254	1046	632	1627	245	
VECT-800S	3562	632	2500	430	-		284	2110	655	223	-	-	-	1218	-	-	310	1290	752	1883	145	1363
VECT-800D	(4062)		(3000)	-	-		284	2110	655	223	71	222	1070	1070	346	1254	310	1290	752	1883	293	
VECT-1300S	4292	792	3000	500	-		455	2440	680	255	-	-	-	1572	-	-	390	1410	927	2320	200	1772
VECT-1300D	(4792)		(3500)	-	-		455	2440	680	255	49	273	1450	1450	420	1380	390	1410	927	2320	200	
VECT-2000S	4988	820	3500	545	123	-	-	2820	726	270	-	-	-	1710	-	-	375	1725	1092	2530	267	1977
VECT-3000S	5990	1055	4000	786	149	-	-	3490	866	320	-	-	-	2070	-	-	420	2580	1197	3300	500	2570

All information is subject to change without notice.

() LTYPE, [] LLTYPE



HYRobotics Co. Ltd.
 173-228, Gajwa-dong, Seo-gu,
 Incheon-si, Korea
 TEL: 82-32-582-5040,
 82-32-582-5046
 FAX : 82-32-584-7040
 www.hyrobot.com

HYROBOTICS CORP.
 5988 Mid Rivers Mall Dr.
 Saint Louis, MO 63304 USA
 TEL: 1-636-578-6059
 FAX : 1-866-232-5594
 www.hyrobot.com