



Next Generation Automatic Take Out Robot ! The Best of the Best!

NEXiA Series

NEXIA 400S ~ 3000S & NEXIA 400D ~ 1300D



Take-Out Robot *New* NEXIA Series

Full Digital AC Servo Motor for Each Axis and Multi Functional Next Generation Robot.

NEXIA Series

- Features**
- >> Injection Molding Machine : For 280 - 4000 Tons Horizontal
 - >> Servo Motor Axis : From 3 ~ 7 Axis Servo
 - >> Motion Guide : High Strength and Low noise LM Guide on all Axis
 - >> Kick (Reach) Frame : Double Support Type
 - >> Vertical Arm Structure : Telescopic Arm (2 Step)
 - >> Main Controller Location : Body Attached (Less foot print)



HYNC-700 (Standard Nexia Robot Controller)

- >> Easy and Simplified Motion Control for Sophisticated Injection Molding Automation.
- >> 5.7" 256 Color touch screen and Servo Jog button and Play back step by step motion control.
- >> Developed specifically for the molding industry by automation engineers with years of experience in the field.
- >> Part stacking, palletized insert loading function programmed in control.
- >> Input, output and logic circuits allow easy integration.



HYwin1.0 Robot Controller

- >> HYwin1.0 Robot Controller (New and Upgraded)
- >> Advanced but simple control in 10.4" Large TFT LCD Screen with Full Color display.
- >> Expandable and Flexibility with Windows XP Operating Systems.
- >> Internet Customer support with Camera Phone.
- >> Production Monitoring through network connection.

Model : HYBRID-200D

- >> Y : 5.7 Touch Controller
- >> F : 10.4 Touch Controller

Standard Features

- >> Take out Arm (Main Arm, Sub Arm or Both)
- >> Vacuum (Use or No Use)
- >> Chucking (Use or No Use)
- >> Main Arm Gripper (Use or No Use)
- >> Sub Arm Gripper (Use or No Use)
- >> Outside Waiting (Use or No Use)
- >> Main Arm Descent (From Fixed Platen or Moveable Platen)
- >> Chuck Rotation during Traverse (Use or No Use)
- >> Main Arm Open (No Use , In Mold or Stack Open)
- >> Sub Arm Open (No Use, In Mold, In Traverse or In Return)
- >> Ejector Control (No Use, Descent or Take Out)
- >> Ejector Backward (Use or No Use)
- >> Ejector Number (1 - 2 Times)
- >> Cycle Start (After ascent complete or Traverse start)
- >> J Motion (No Use, Sub Arm, Main Arm or Both)

Optional Feature

- >> Robot Nipper installation (No Use or Use)
- >> External Nipper equipment Installation (No Use, in Robot, External 1 or External 2)

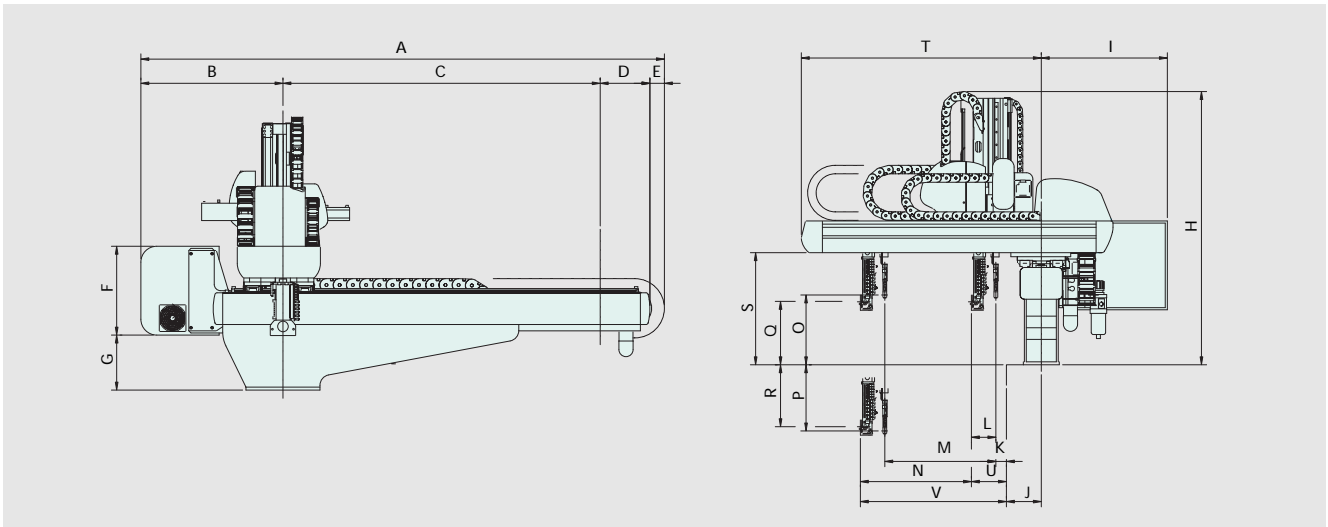
Technical Specification

Power	Motion Control	Control Method	Normal Pneumatic Pressure	Maximum Pneumatic Pressure	Chuck Rotation
3phase AC220V(50/60Hz)	Servo Motor	Micro Computer	6kgf/cm ²	8kgf/cm ²	90°

Model	Traverse		Ascent/Descent (mm)		Kick(Reach) Stroke (mm)		Electric Consumption	Air Consumption [(normal)/Cycle]	Maximum handling capacity
	Standard	L Type	Main Arm	Sub Arm	Main Arm	Sub Arm			
NEXIA-400S	1700	2000	1100	-	951	-	3 Phase AC 220V S : 10A (Max.) D : 13A (Max.)	7	Up to 5kgf
NEXIA-400D			1100	-	825	825			
NEXIA-600S	2000	2500	1300	-	1085	-	3 Phase AC 220V S : 10A (Max.) D : 13A (Max.)	16	Up to 10kgf
NEXIA-600D			1300	-	910	910			
NEXIA-800S	2500	3000	1600	-	1218	-	3 Phase AC 220V S : 11A (Max.) D : 15A (Max.)	22	Up to 15kgf
NEXIA-800D			1600	-	1070	1070			
NEXIA-1300S	3000	3500	1800	-	1572	-	3 Phase AC 220V S : 12A (Max.) D : 15A (Max.)	35	Up to 20kgf
NEXIA-1300D			1800	-	1450	1450			
NEXIA-2000S	3500	4000	2100	-	1710	-	3 Phase AC 220V S : 16A (Max.)	56	Up to 30kgf
NEXIA-3000D	4000	4500	3000	-	2070	-	3 Phase AC 220V S : 26A (Max.)	152	Up to 40kgf

Dimension

Unit : mm



Model	A	B	C	D	E	F	G	H	I	J	K	L	M	N	O	P	Q	R	S	T	U	V
NEXIA- 400S	2587	672	1700	215	-	420	260	1472	596	165	-	-	-	951	-	-	300	800	530	1435	400	991
NEXIA- 400D	(3078)		(2000)								-	50	116	825	825	330					770	
NEXIA- 600S	3007	592	2000	415	-	420	179	1740	636	205	-	-	-	1085	-	-	254	1046	632	1627	70	1155
NEXIA- 600D	(3507)		(2500)								-	73	172	910	910	340					960	
NEXIA- 800S	3562	632	2500	430	-	420	284	2110	655	223	-	-	-	1218	-	-	310	1290	752	1883	145	1363
NEXIA- 800D	(4062)		(3000)								-	71	222	1070	1070	346					1254	
NEXIA- 1300S	4292	792	3000	500	-	420	455	2440	680	255	-	-	-	1572	-	-	390	1410	927	2320	200	1772
NEXIA- 1300D	(4792)		(3500)								-	49	273	1450	1450	420					1380	
NEXIA- 2000S	4988 (5488)	820	3500 (4000)	545	123	-	-	2820	726	270	-	-	-	1710	-	-	375	1725	1092	2530	267	1977
NEXIA- 3000S	5990 (6490)	1055	4000 (4500)	786	149	-	-	3490	866	320	-	-	-	2070	-	-	420	2580	1197	3300	500	2570

All information is subject to change without notice.

() L TYPE, [] LL TYPE.



HYRobotics Co. Ltd.
 173-228, Gajwa-dong, Seo-gu,
 Incheon-si, Korea
 TEL: 82-32-582-5040,
 82-32-582-5046
 FAX : 82-32-584-7040
 www.hyrobot.com

HYROBOTICS CORP.
 5988 Mid Rivers Mall Dr.
 Saint Louis, MO 63304 USA
 TEL: 1-636-578-6059
 FAX: 1-866-232-5594
 www.hyrobot.com