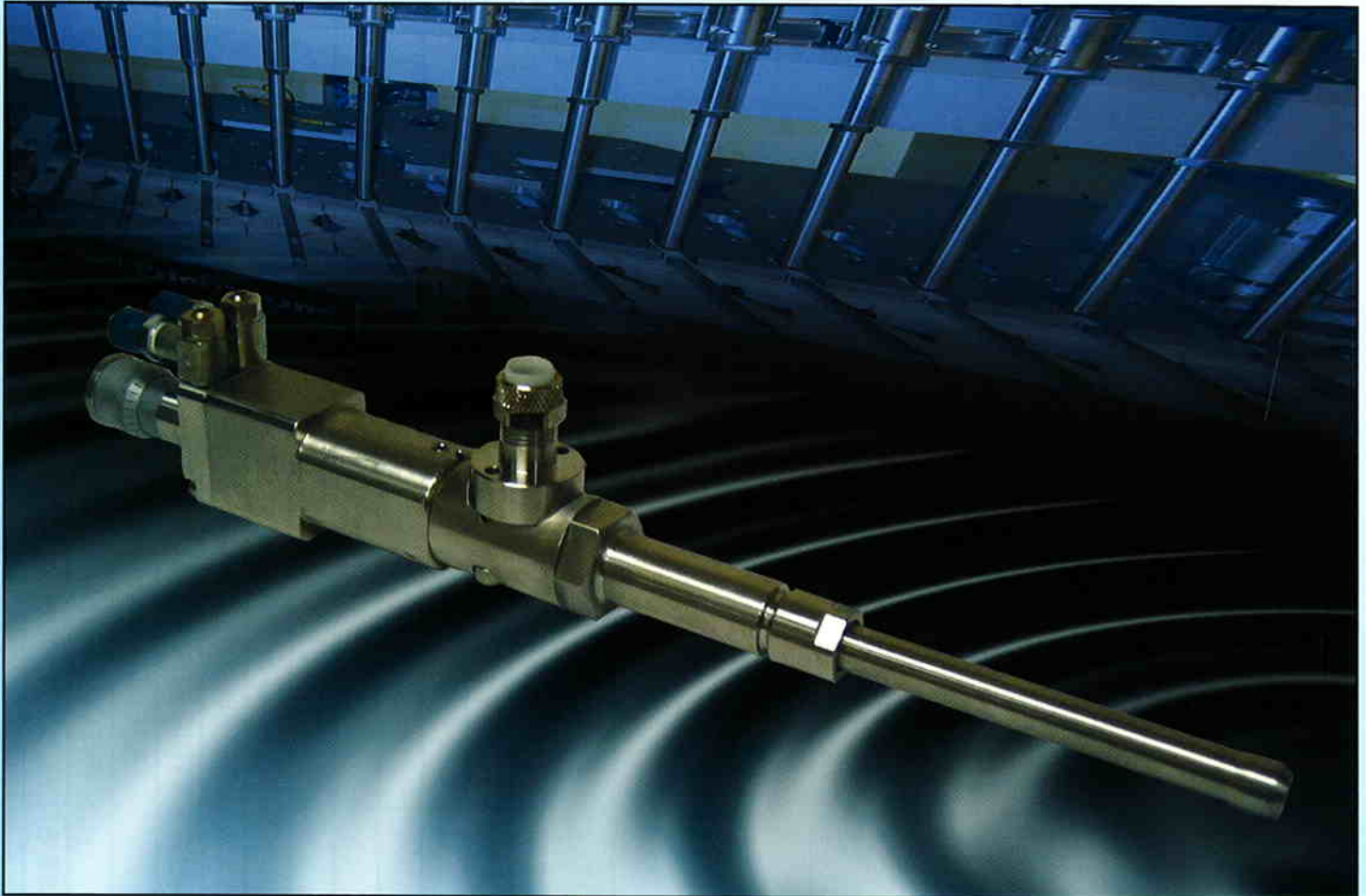




HIBAR
SYSTEMS LIMITED

FT-1 SERIES
POSITIVE SHUT-OFF
FILL TUBE

The **NEW** Hibar FT-1 Series Positive Shut Off Fill Tubes are ideally suited for drip free dispensing of "stringy" products or slurries found in food, cosmetic and pharmaceutical industries. With a wide range of available styles and lengths, the FT-1 fill tube can be customized to suit virtually any application.



FT-1 Series Fill Tube Features:

- * *Positive shut off, drip free dispensing.*
- * *316L Stainless Steel construction.*
- * *Wide range of styles & lengths for virtually any application.*
- * *Easy to disassemble, clean and maintain.*
- * *Compact design for easy mounting (1" pitch).*
- * *Pneumatic drive with precise stroke adjustment and pneumatic flow control.*
- * *Various inlet fitting styles and sizes available.*
- * *Sanitary one-piece formed fill tube.*
- * *Metal to metal shut off.*
- * *Designed for long service life.*

Hibar can help match a fill tube to your application

HEAD OFFICE:
35 POLLARD STREET
RICHMOND HILL, ONTARIO
CANADA L4B1A8

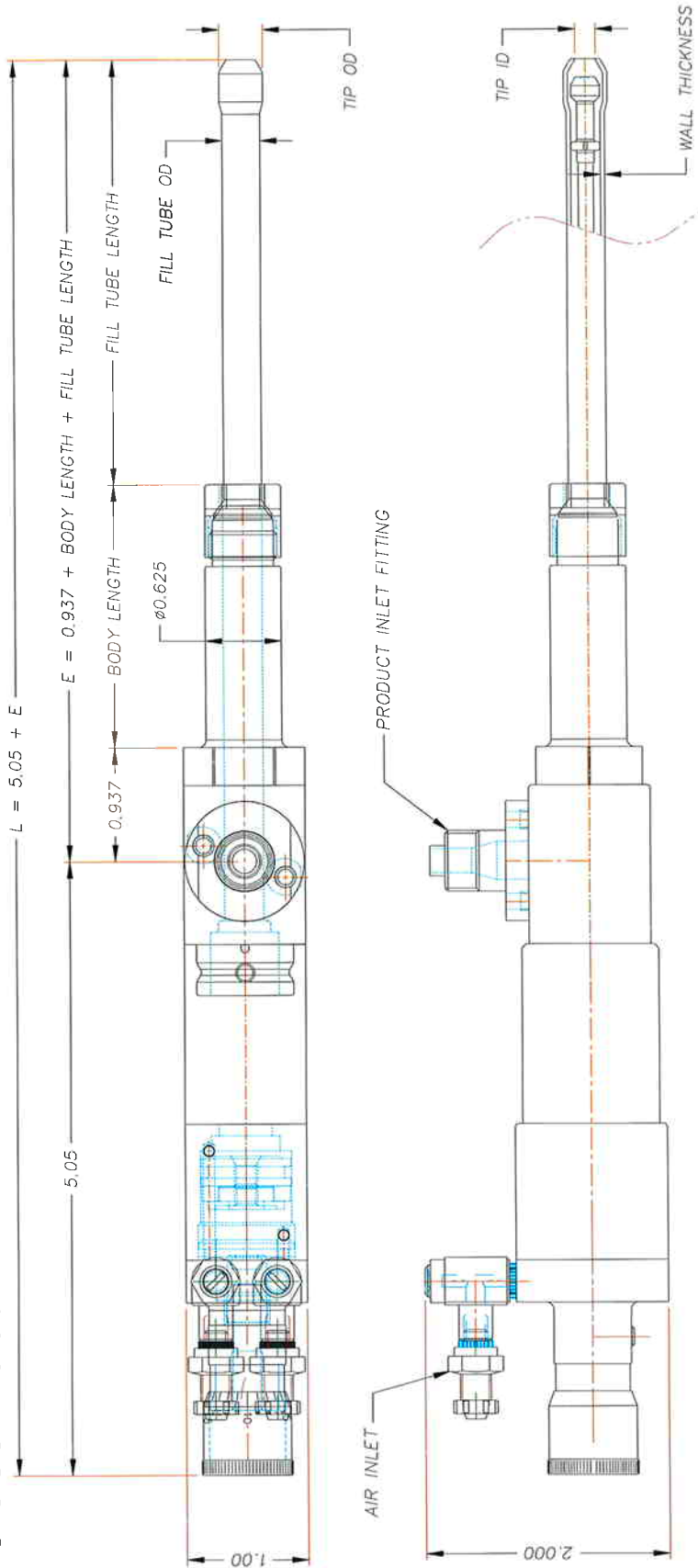
TEL: 905-731-2400
FAX: 905-731-6035

"The Liquid Dispensing Specialists"

WEB: www.hibar.com
EMAIL: sales@hibar.com



HIBAR
SYSTEMS LIMITED

FT-1 Fill Tube Dimensions:

FT-1 Fill Tube Specifications:

FT-1 MODELS	FT-1-T3	FT-1L-T3	FT-1-T4	FT-1L-T4	FT-1-T5	FT-1L-T5	FT-1-T6	FT-1L-T6	FT-1-T8	FT-1L-T8
BODY LENGTH	2.165"	4.165"	2.165"	4.165"	2.165"	4.165"	2.165"	4.165"	2.165"	4.165"
FILL TUBE OD	3/16"		1/4"		5/16"		3/8"		1/2"	
WALL THICKNESS	0.020"		0.020"		0.035"		0.035"		0.035"	
TIP OD	0.230"		0.280"		0.360"		0.420"		0.550"	
TIP ID	0.095"		0.125"		0.160"		0.210"		0.306"	
FILL TUBE LENGTH	STANDARD & CUSTOM LENGTHS RANGING FROM 1.5" TO 42"									
PRODUCT INLET FITTING	VARIOUS TUBE, SWAGELOK AND OTHER FITTINGS AVAILABLE UPON REQUEST									
AIR INLET FITTING	QUICK CONNECT FITTING FOR 3-4MM ID TUBING; OTHER FITTINGS AVAILABLE UPON REQUEST									
AIR REQUIREMENTS	FILTERED AND REGULATED AIR SUPPLY, 50 PSIG MIN.									
OPERATION	AIR OPERATED OPEN AND CLOSED, SPRING CLOSED									
CONSTRUCTION	316 STAINLESS STEEL BODY, ORIFICE AND POPPET, 1-PIECE FORMED STAINLESS STEEL TUBE									
CYCLE RATE	UP TO 200 CYCLES/MINUTE									